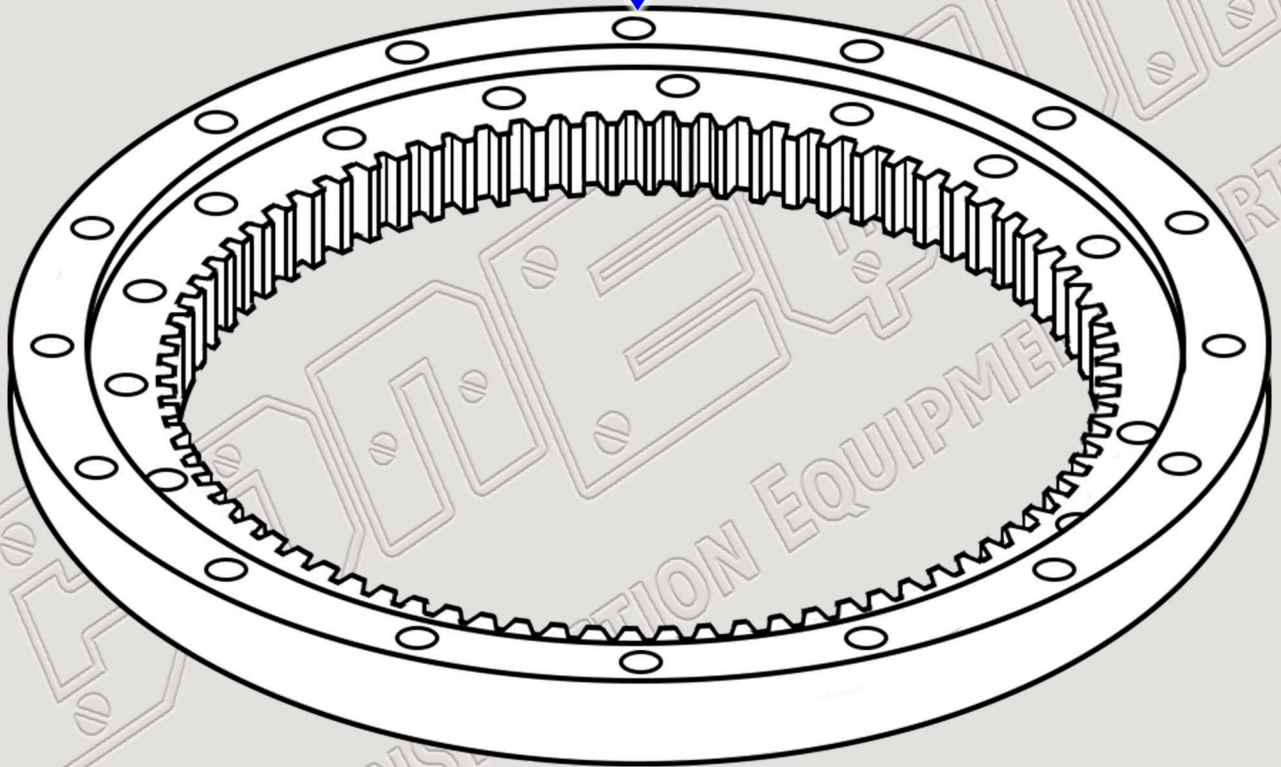


# KOBELCO K907C EXCAVATOR SWING BEARING DIAGRAM



RING ASSEMBLY, SLEWING



PART NUMBER & ALTERNATIVES:  
24100N2672F2; 24100N3354F2

**888-983-7847**

[WWW.CONEQUIP.COM](http://WWW.CONEQUIP.COM)

© 2018 CONEQUIP PARTS & EQUIPMENT LLC

**KOBELCO**